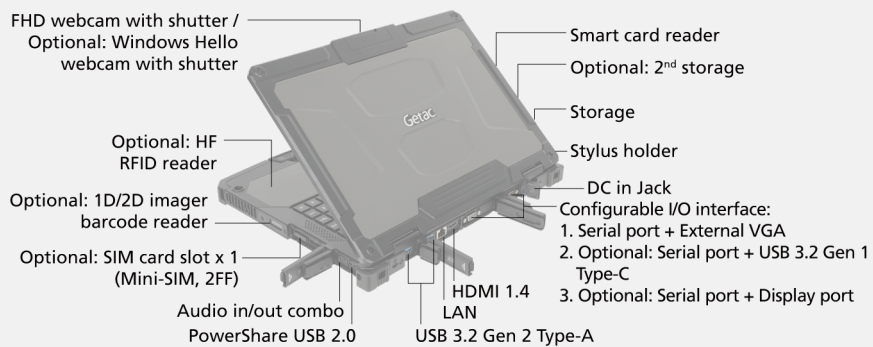




## B360 FULLY RUGGED NOTEBOOK

- MIL-STD 810H, 6ft operating drop rating, IP66 certified, and optional salt fog resistant
- 10th Generation Intel® Core™ Processor
- 13.3" FHD LumiBond® display with Getac sunlight readable technology (1,400 nits) and capacitive touchscreen
- Enhanced enterprise security with optional dual user replaceable storage, Windows Hello face-authentication camera, integrated 1D/2D imager barcode reader and multi-factor authentication options
- LifeSupport™ battery swappable technology



# B360 FULLY RUGGED NOTEBOOK

## SPECIFICATIONS

<b>Generation</b>	G1
<b>Operating System</b>	Windows 10 Pro Windows 11 Pro
<b>Mobile Computing Platform</b>	Intel® Core™ i5-10210U Processor 1.6GHz Max. 4.2GHz with Intel® Turbo Boost Technology - 6MB Intel® Smart Cache  <b>Platform options:</b> Intel® Core™ i5-10310U vPro™ Processor 1.7GHz Max. 4.4GHz with Intel® Turbo Boost Technology - 6MB Intel® Smart Cache  Intel® Core™ i7-10510U Processor 1.8GHz Max. 4.9GHz with Intel® Turbo Boost Technology - 8MB Intel® Smart Cache  Intel® Core™ i7-10610U vPro™ Processor 1.8GHz Max. 4.9GHz with Intel® Turbo Boost Technology - 8MB Intel® Smart Cache  Intel® Core™ i7-10710U Processor 1.1GHz Max. 4.7GHz with Intel® Turbo Boost Technology 12MB Intel® Smart Cache
<b>VGA Controller</b>	Intel® UHD Graphics
<b>Display</b>	13.3" IPS TFT LCD FHD (1920 x 1080) Protection film 1,400 nits LumiBond® display with Getac sunlight readable technology Capacitive multi-touch screen
<b>Storage &amp; Memory</b>	8GB DDR4 Optional: 16GB / 32GB / 64GB DDR4 256GB PCIe NVMe SSD Optional: 512GB / 1TB PCIe NVMe SSD Optional 2 <sup>nd</sup> storage <sup>1</sup> : 256GB / 512GB / 1TB SATA SSD
<b>Keyboard</b>	LED backlit membrane keyboard Optional: LED backlit rubber keyboard

# B360 FULLY RUGGED NOTEBOOK

<b>Pointing Device</b>	Touchscreen - Capacitive multi-touch screen Touchpad - Touchpad with two buttons
<b>Expansion Slots</b>	Smart card reader x 1 Optional: 1D / 2D imager barcode reader
<b>I/O Interface</b>	FHD webcam x 1 Audio in/out combo x 1 DC in Jack x 1 PowerShare USB 2.0 x 1 USB 3.2 Gen 2 Type-A x 2 LAN (RJ45) x 1 HDMI 1.4 x 1 Docking connector x 1 Optional: SIM card slot x 1 (Mini-SIM, 2FF) Optional: Windows Hello face-authentication camera (front-facing) x 1 Optional: RF antenna pass-through for GPS, WWAN and WLAN Configurable I/O options <sup>ii</sup> : 1. Serial port (9-pin; D-sub) x 1 + External VGA (15-pin; D-sub) x 1 2. Serial port (9-pin; D-sub) x 1 + USB 3.2 Gen 2 Type-C x 1 3. Serial port (9-pin; D-sub) x 1 + Display port x 1 4. Serial port (9-pin; D-sub) x 1 + External VGA (15-pin; D-sub) x 1 + 2nd LAN (RJ45) x 1 5. Serial port (9-pin; D-sub) x 1 + Display Port x 1 + 2nd LAN (RJ45) x 1
<b>Communication Interface</b>	10 / 100 / 1000 base-T Ethernet Intel® Wi-Fi 6 AX200, 802.11ax Bluetooth (v5.2) <sup>iii</sup> Optional: Dedicated GPS <sup>iv</sup> Optional: 4G LTE mobile broadband with integrated GPS <sup>iv,v</sup>
<b>Security Features</b>	TPM 2.0 Kensington lock Optional: Fingerprint reader <sup>xi</sup> Optional: HF RFID reader <sup>vi, xi</sup> Smart card reader
<b>Power</b>	AC adapter (90W, 100-240VAC, 50/60Hz) Li-ion battery (11.1V, typical 2100mAh; min. 2040mAh) x 2 LifeSupport™ battery swappable technology
<b>Dimension (W x D x H) &amp; Weigh</b>	342 x 281 x 34.9 mm (13.46" x 11.06" x 1.37") 2.32kg (5.11lbs) <sup>vii</sup>

# B360 FULLY RUGGED NOTEBOOK

## Rugged Feature

MIL-STD-810H certified  
IP66 certified  
MIL-STD-461G certified <sup>viii</sup>  
Vibration & 6ft (1.8m) drop resistant  
Optional: ANSI/UL 121201, CSA C22.2 NO. 213 (Class I, Division 2, Groups A, B, C, D) <sup>xiv</sup>  
Optional: Salt fog certified

---

## Environmental Specification

Temperature <sup>ix</sup>:  
- Operating: -29°C to 63°C / -20°F to 145°F  
- Storage: -51°C to 71°C / -60°F to 160°F  
Humidity:  
- 95% RH, non-condensing

---

## Pre-installed software

Getac Utility  
Getac Geolocation  
Getac Barcode Manager <sup>ix</sup>  
Optional: Absolute Persistence®

---

## Optional software

Getac Driving Safety Utility  
Getac KeyWedge Barcode Reader Utility  
Getac Device Monitoring System (GDMS)  
Getac VGPS Utility <sup>xii</sup>

---

## Accessories

Battery (11.1V, typical 2100mAh; min. 2040mAh)  
AC adapter (90W, 100-240VAC)  
Capacitive stylus with tether

### Optional:

Backpack  
Battery (11.1V, typical 2100mAh; min. 2040mAh)  
Multi-Bay charger (Dual-Bay)  
Multi-Bay charger (Eight-Bay)  
AC adapter (90W, 100-240VAC)  
Office dock AC adapter (120W, 100-240VAC)  
MIL-STD-461 AC adapter (90W, 100-240VAC)  
DC-DC vehicle adapter (120W, 11-32VDC)  
Capacitive stylus with tether  
Protection film  
Vehicle cradle <sup>xiii</sup>  
Vehicle dock <sup>xiii</sup>  
Office dock  
Spare SSD kit  
100W Type-C adapter

---

# B360 FULLY RUGGED NOTEBOOK

## Bumper-to-Bumper warranty

Accidents can take your equipment out of service when you least expect it, especially in a rugged environment, which can cause costly equipment downtime.

That is why Getac has introduced accidental damage as standard under our Bumper-to-Bumper warranty, to help minimize your enterprise IT costs.

Bumper-to-Bumper is your hassle-free guarantee. That means you can depend on us to have your unit back in service within days.

## Standard

3 years Bumper-to-Bumper

- 
- I. Second storage is optional and will be fitted with a removable cover when not chosen at point of purchase.
  - II. External VGA, USB 3.2 Gen 1 Type-C port and Display port are mutually exclusive.
  - III. Bluetooth performance and connectable distance may be subject to interference with the environments and performance on client devices, users may be able to reduce effects of interference by minimizing the number of active Bluetooth wireless devices that is operating in the area.
  - IV. Dedicated GPS is mutually exclusive with 4G LTE mobile broadband.
  - V. Units with 4G LTE option comes with an embedded SIM card slot.
  - VI. HF(13.56MHz) combo HF RFID/NFC reader (iClass, HID Prox , ISO 15693, 14443 A/B, Mifare, and FeliCa™ compliant).
  - VII. Weight and dimensions vary from configurations and optional accessories.
  - VIII. MIL-STD-461 90W AC adapter sold separately.
  - IX. Tested by an independent third-party test lab following MIL-STD-810H.
    - X. Available when barcode reader option is selected.
  - XI. Fingerprint reader and HF RFID reader are mutually exclusive.
  - XII. Models require either embedded or standalone GPS module.
  - XIII. Gamber Johnson and Havis vehicle docks are e-mark certified.
  - XIV. Available with limited configurations and environment conditions.

Information provided herewith is for reference only, available specification shall be subjected to quotation by request.

# B360 FULLY RUGGED NOTEBOOK

	Vehicle Dock	Office Dock
Serial Port	2	2
External VGA	1	1
Microphone	1	1
Audio Output	1	1
DC in Jack	1	1
USB	6	5
LAN	2	2
HDMI 1.3	1	1
RF Antenna Connector	3 (GPS, WWAN, WLAN)	-

## GETAC TECHNOLOGY CORPORATION

Via Paracelso 26, Centro Direzionale Colleoni,  
Palazzo Cassiopea 3 20864 Agrate Brianza (MB)  
Tel: +39 039 8901584

Sales-getac-Italy@getac.com | [www.getac.com/it/](http://www.getac.com/it/)

Copyright © 2022 Getac Technology Corporation and/or any of its affiliates. All Rights Reserved.

Le informazioni riportate sono puramente indicative,

Le specifiche disponibili sono da verificare al momento dell'offerta.