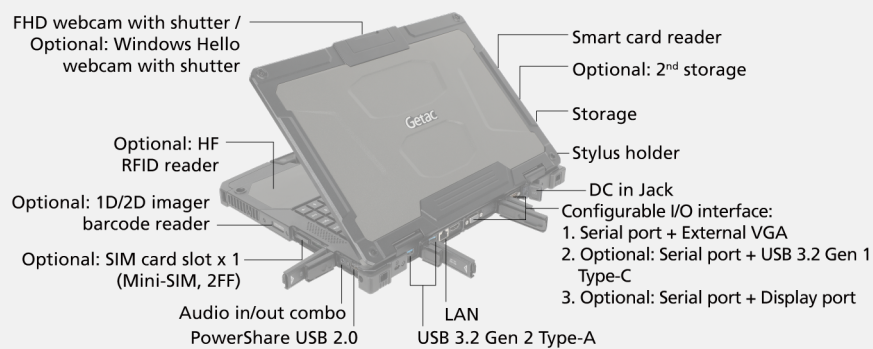




B360 FULLY RUGGED NOTEBOOK

- MIL-STD 810H, 6ft operating drop rating, IP66 certified, and optional salt fog resistant
- 10th Generation Intel® Core™ Processor
- 13.3" FHD LumiBond® 2.0 display with Getac sunlight readable technology (1,400 nits) and capacitive touchscreen
- Enhanced enterprise security with optional dual user replaceable storage, Windows Hello face-authentication camera, integrated 1D/2D imager barcode reader and multi-factor authentication options
- LifeSupport™ battery swappable technology



B360 FULLY RUGGED NOTEBOOK

SPECIFICATIONS

Operating System	Windows 10 Pro
Mobile Computing Platform	<p>Intel® Core™ i5-10210U Processor 1.6GHz Max. 4.2GHz with Intel® Turbo Boost Technology - 6MB Intel® Smart Cache</p> <p>Platform options:</p> <p>Intel® Core™ i5-10310U vPro™ Processor 1.7GHz Max. 4.4GHz with Intel® Turbo Boost Technology - 6MB Intel® Smart Cache</p> <p>Intel® Core™ i7-10510U Processor 1.8GHz Max. 4.9GHz with Intel® Turbo Boost Technology - 8MB Intel® Smart Cache</p> <p>Intel® Core™ i7-10610U vPro™ Processor 1.8GHz Max. 4.9GHz with Intel® Turbo Boost Technology - 8MB Intel® Smart Cache</p> <p>Intel® Core™ i7-10710U Processor 1.1GHz Max. 4.7GHz with Intel® Turbo Boost Technology 12MB Intel® Smart Cache</p>
VGA Controller	Intel® UHD Graphics
Display	<p>13.3" IPS TFT LCD FHD (1920 x 1080) Protection film 1,400 nits LumiBond® display with Getac sunlightreadable technology Capacitive multi-touch screen</p>
Storage & Memory	<p>8GB DDR4 Optional: 16GB / 32GB / 64GB DDR4 256GB PCIe NVMe SSD Optional: 512GB / 1TB PCIe NVMe SSD Optional 2nd storage †: 256GB / 512GB / 1TB SATA SSD</p>
Keyboard	<p>LED backlit membrane keyboard Optional: LED backlit rubber keyboard</p>
Pointing Device	<p>Touchscreen - Capacitive multi-touch screen Touchpad - Glide touchpad with multi-touch</p>

B360 FULLY RUGGED NOTEBOOK

Expansion Slots	Smart card reader x 1 Optional: 1D / 2D imager barcode reader
I/O Interface	FHD webcam x 1 Audio in/out combo x 1 DC in Jack x 1 PowerShare USB 2.0 x 1 USB 3.2 Gen 2 Type-A x 2 LAN (RJ45) x 1 HDMI x 1 Docking connector x 1 Optional: SIM card slot x 1 (Mini-SIM, 2FF) Optional: Windows Hello face-authentication camera (front-facing) x 1 Optional: RF antenna pass-through for GPS, WWAN and WLAN Configurable I/O options ⁱⁱ : Serial port (9-pin; D-sub) x 1 + External VGA (15-pin; D-sub) x 1, or Serial port (9-pin; D-sub) x 1 + USB 3.2 Gen 2 Type-C x 1, or Serial port (9-pin; D-sub) x 1 + Display port x 1
Communication Interface	10 / 100 / 1000 base-T Ethernet Intel® Wi-Fi 6 AX200, 802.11ax Bluetooth (v5.2) ⁱⁱⁱ Optional: Dedicated GPS ^{iv} Optional: 4G LTE mobile broadband with integrated GPS ^{iv,v}
Pre-installed software	Getac Utility Getac Geolocation Getac Barcode Manager ^{ix} Optional: Absolute Persistence®
Security Features	TPM 2.0 Kensington lock Optional: HF RFID reader ^{vi} Smart card reader
Power	AC adapter (90W, 100-240VAC, 50/60Hz) Li-ion battery (11.1V, typical 2100mAh; min. 2040mAh) x 2 LifeSupport™ battery swappable technology
Dimension (W x D x H) & Weigh	342 x 281 x 34.9 mm (13.46" x 11.06" x 1.37") 2.32kg (5.11lbs) ^{vii}

B360 FULLY RUGGED NOTEBOOK

Rugged Feature

MIL-STD-810H certified
IP66 certified
MIL-STD-461G certified ^{viii}
Vibration & 6ft (1.8m) drop resistant
e-Mark certified for vehicle usage
Optional: ANSI/UL 121201, CSA C22.2 NO. 213 (Class I, Division 2, Groups A, B, C, D)
Optional: Salt fog certified

Environmental Specification

Temperature ^{ix}:
- Operating: -29°C to 63°C / -20°F to 145°F
- Storage: -51°C to 71°C / -60°F to 160°F
Humidity:
- 95% RH, non-condensing

Accessories

Battery (11.1V, typical 2100mAh; min. 2040mAh)
AC adapter (90W, 100-240VAC)
Capacitive stylus with tether

Optional:

Backpack
Battery (11.1V, typical 2100mAh; min. 2040mAh)
Multi-Bay charger (Dual-Bay)
Multi-Bay charger (Eight-Bay)
AC adapter (90W, 100-240VAC)
Office dock AC adapter (120W, 100-240VAC)
MIL-STD-461 certified AC adapter (90W, 115-230VAC)
DC-DC vehicle adapter (120W, 11-32VDC)
Capacitive stylus with tether
Protection film
Vehicle cradle
Vehicle dock
Office dock
Spare SSD kit
100W Type-C adapter

Bumper-to-Bumper warranty

Accidents can take your equipment out of service when you least expect it, especially in a rugged environment, which can cause costly equipment downtime.

That is why Getac has introduced accidental damage as standard under our Bumper-to-Bumper warranty, to help minimize your enterprise IT costs.

Bumper-to-Bumper is your hassle-free guarantee. That means you can depend on us to have your unit back in service within days.

Standard

3 years Bumper-to-Bumper

- I. Second storage is optional and will be fitted with a removable cover when not chosen at point of purchase.
- II. External VGA, USB 3.2 Gen 1 Type-C port and Display port are mutually exclusive.
- III. Bluetooth performance and connectable distance may be subject to interference with the environments and performance

B360 FULLY RUGGED NOTEBOOK

- on client devices, users may be able to reduce effects of interference by minimizing the number of active Bluetooth wireless devices that is operating in the area.
- IV. Dedicated GPS is mutually exclusive with 4G LTE mobile broadband.
 - V. Units with 4G LTE option comes with an embedded SIM card slot.
 - VI. HF(13.56MHz) combo HF RFID/NFC reader (iClass, HID Prox , ISO 15693, 14443 A/B, Mifare, and FeliCa™ compliant).
 - VII. Weight and dimensions vary from configurations and optional accessories.
 - VIII. MIL-STD-461G 90W AC adapter sold separately.
 - IX. Tested by an independent third-party test lab following MIL-STD-810H.
 - X. Available when barcode reader option is selected.

Information provided herewith is for reference only, available specification shall be subjected to quotation by request.

	Vehicle Dock	Office Dock
Serial Port	2	2
External VGA	1	1
Microphone	1	1
Audio Output	1	1
DC in Jack	1	1
USB	6	5
LAN	2	2
HDMI	1	1
RF Antenna Connector	(GPS, WWAN, WLAN)	-

GETAC TECHNOLOGY CORPORATION

5F, Building A, No. 209, Section 1, Nangang Rd.,
Nangang Dist., Taipei City, 11568, Taiwan, R.O.C.
Tel : +886 2 2785 7888

globalmarketing@getac.com | www.getac.com

Copyright © 2022 Getac Technology Corporation and/or any of its affiliates. All Rights Reserved.

Information provided herewith is for reference only, available specification shall be subjected to quotation by request.